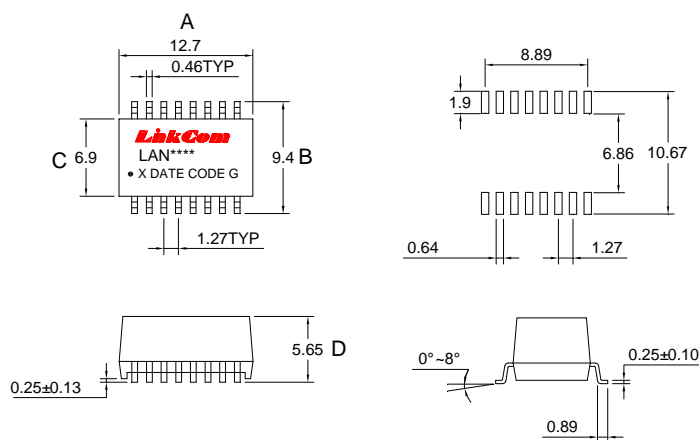


**10/100BASE-Tx Magnetics Module**

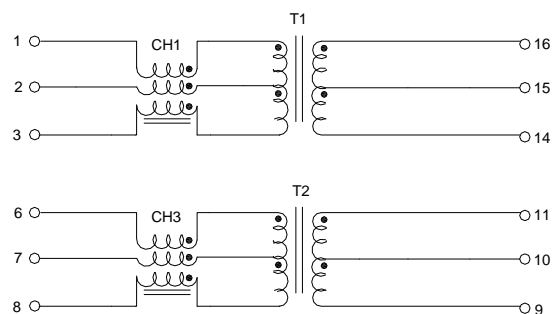
- Meets IEEE 802.3 standard
- RoHS Compliant
- Single port configuration
- Design for 100base-Tx transmission over UTP-5 cable
- Operating Temperature: 0°C~70°C

| Electrical Specification @25°C |  |            |            |
|--------------------------------|--|------------|------------|
| OCL:                           | 350uH Min. @100KHz/0.1V with 8mA DC Bias |            |            |
| Hi-POT :                       | 1500Vrms.                                |            |            |
| Turn Ratio:                    | 1CT:1CT±2%                               |            |            |
| D.C.R:                         | 1.5 ohm Max.                             |            |            |
| Insertion Loss:                | -1.1dB Max.@1-100MHz                     |            |            |
| Return Loss:                   | 1-30MHz                                  | 40-50MHz   | 60-80MHz   |
|                                | -16dB Min.                               | -13dB Min. | -10dB Min  |
| D.C.M.R :                      | 30MHz                                    | 60MHz      | 100MHz     |
|                                | -43dB Min.                               | -37dB Min. | -33dB Min. |
| Cross Talk :                   | 30MHz                                    | 60MHz      | 100MHz     |
|                                | -45dB Min.                               | -40dB Min. | -33dB Min. |

**Dimensions**



**Schematic**



**Mark**

1. LAN\*\*\*\*---LAN1059
2. X---PRODUCT LINE
3. DATE CODE---YYWW
4. G---RoHS

Units: mm

Unless otherwise specified, all tolerances are ±0.25