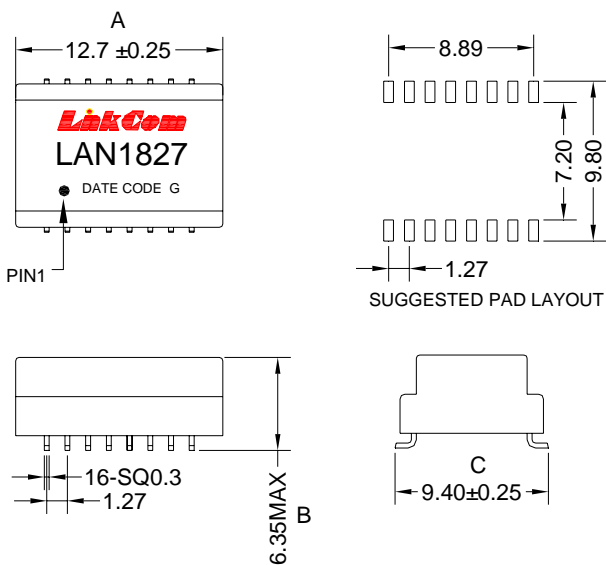


10/100BASE-Tx Magnetics Module

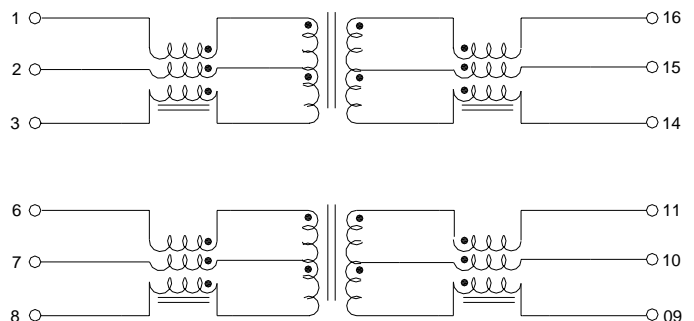
- Meets IEEE 802.3 standard
- RoHS Compliant
- Single port configuration
- Design for 100base-Tx transmission over UTP-5 cable
- Operating Temperature: -40 ~+85

Electrical Specification @25					
OCL:	350uH Min. @100KHz/0.1V with 8mA DC Bias				
Hi-POT :	1500Vrms.				
Turn Ratio:	1CT:1CT±2%				
D.C.R:	1.3ohm Max.				
Insertion Loss:	0.1MHz			1-100MHz	
	-1.2dB Max.			-1.0dB Max.	
Return Loss:	2-30MHz	40MHz	50MHz	60-80MHz	100MHz
	-18dB Min.	-14.4dB Min.	-13.1dB Min.	-12dB Min	-10dB Min.
D.C.M.R :	30MHz		60MHz		100MHz
	-43dB Min.		-37dB Min.		-33dB Min.
Cross Talk :	30MHz		60MHz		100MHz
	-45dB Min.		-40dB Min.		-33dB Min.

Dimensions



Schematic



Units: mm
Unless otherwise specified, all tolerances are ±0.25