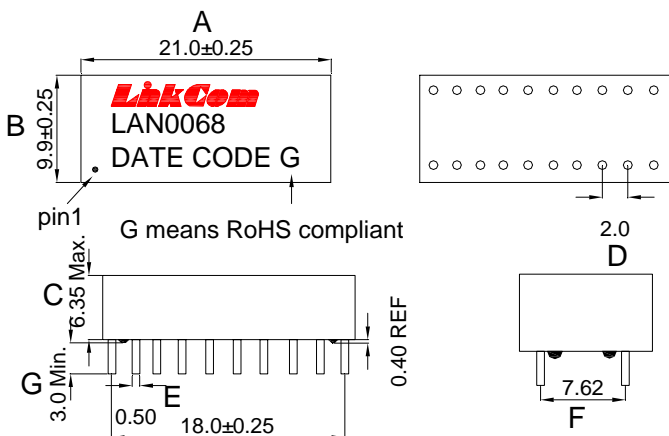


10/100BASE-Tx Magnetics Module

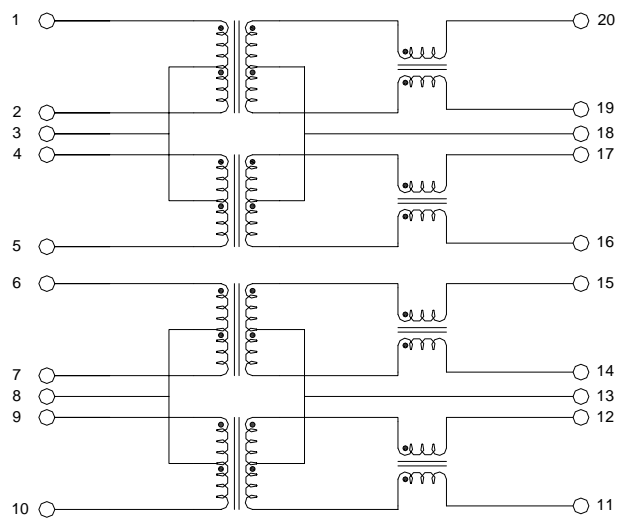
- Meets IEEE 802.3 standard
- RoHS Compliant
- 20-Pin DIP Mountable
- Operating Temperature: 0 ~70

Electrical Specification @25				
OCL:	350uH Min. @100KHz/0.1V with 8mA DC Bias			
Hi-POT :	1500Vrms			
Turn Ratio:	1:1±3%			
D.C.R:	0.9 ohm Max.			
Insertion Loss	0.1-100MHz -1.0dB Max.			
Return Loss	30MHz	60MHz	80MHz	
	-16dB Min.	-12dB Min.	-10dB Min.	
D.C.M.R:	1-60MHz		60-200MHz	
	-40dB Min.		-30dB Min.	
Cross Talk	1MHz	30MHz	60MHz	100MHz
	-55dB Min.	-45dB Min.	-40dB Min.	-33dB Min.

Dimensions



Schematic



Units: mm
Unless otherwise specified, all tolerances are ±0.25